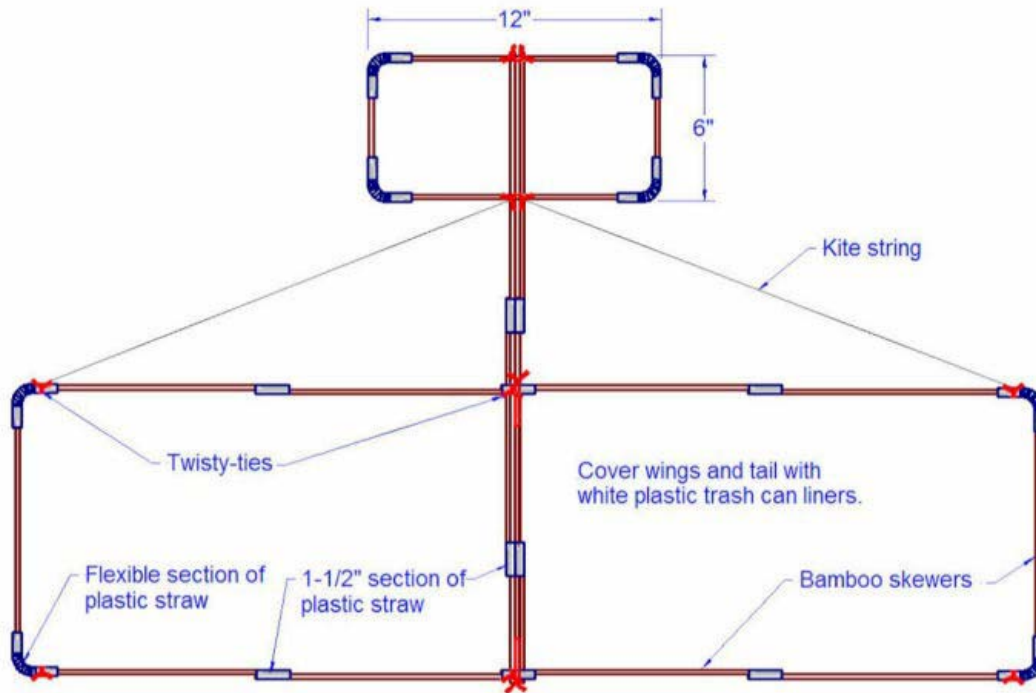
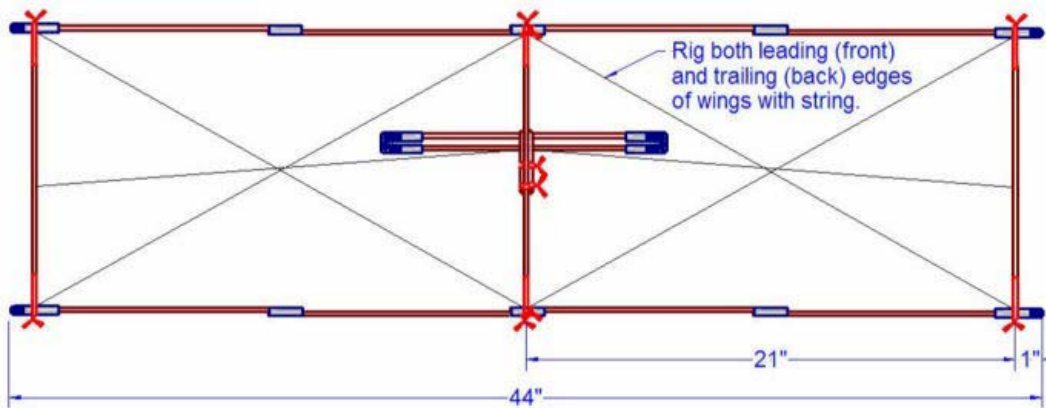




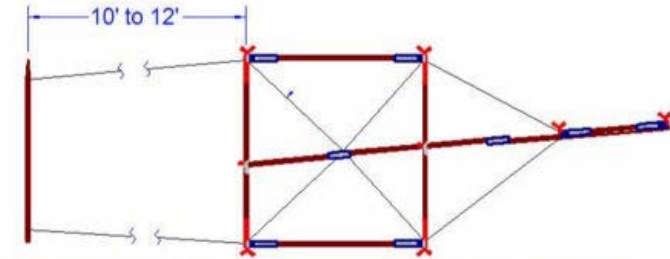
NOT QUITE WRIGHT KITE



Top View

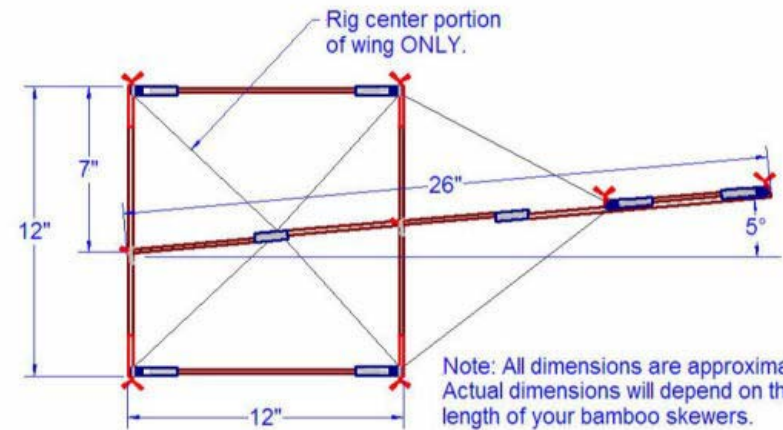


Front View



Run control lines from ends of skewers to front outboard corners. There should be two control skewers and four control lines in all. Control lines must all be exactly the same length.

Control Rigging Detail



Note: All dimensions are approximate. Actual dimensions will depend on the length of your bamboo skewers.

Side View